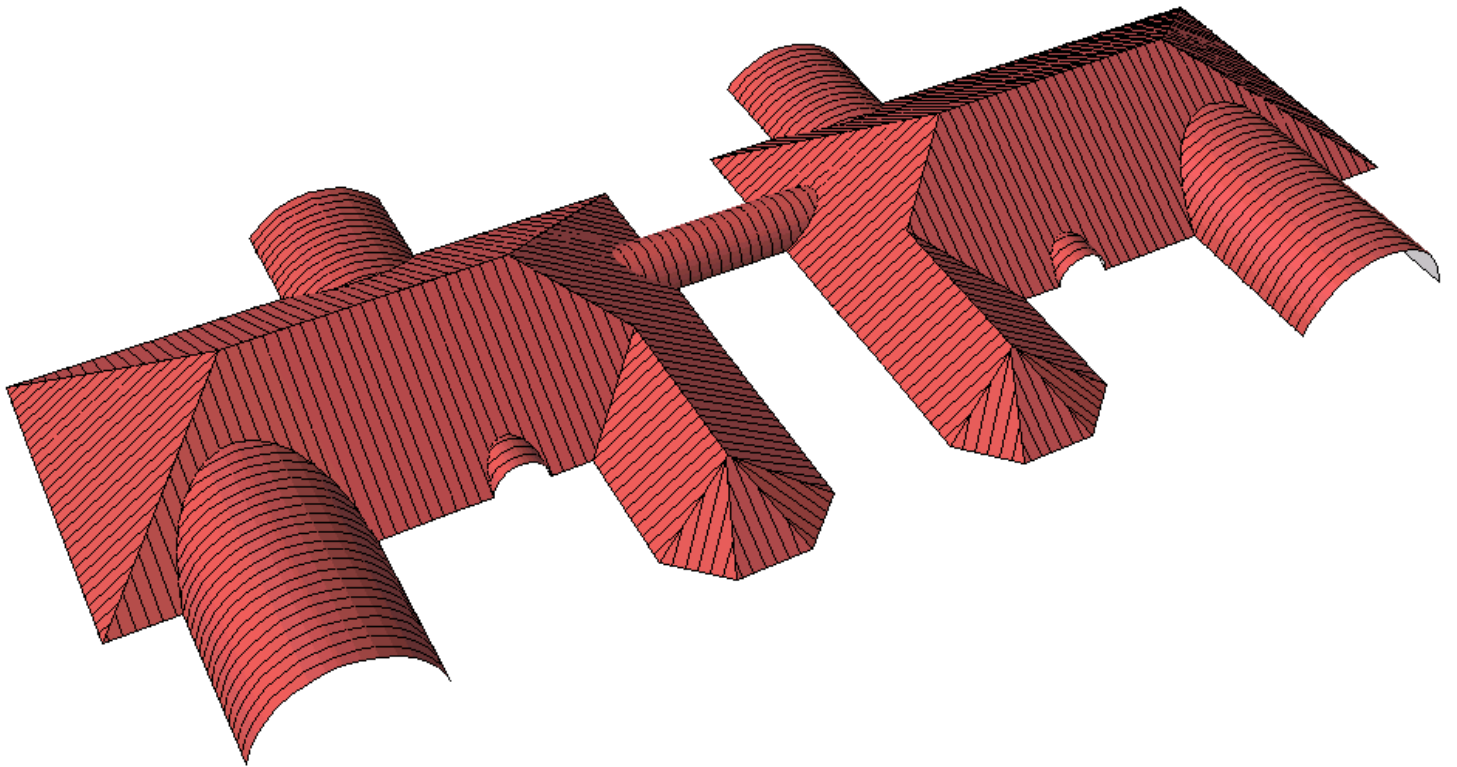


# INSTALLATION GUIDE

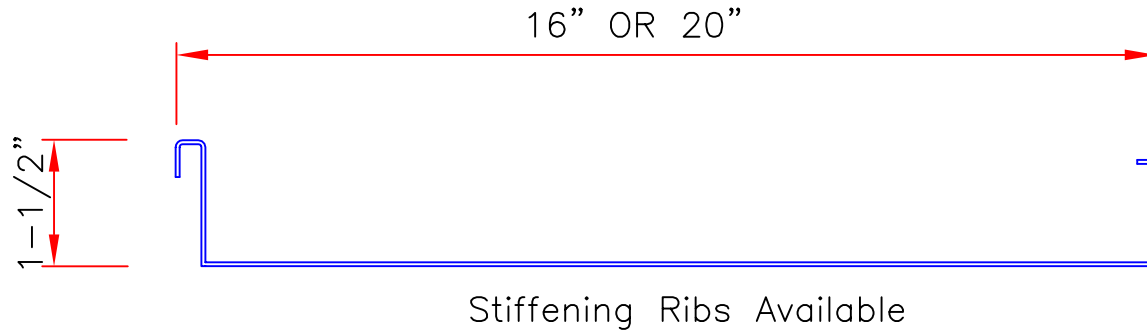
---

ENGLERT SERIES 1300 OVER WOOD DECKS

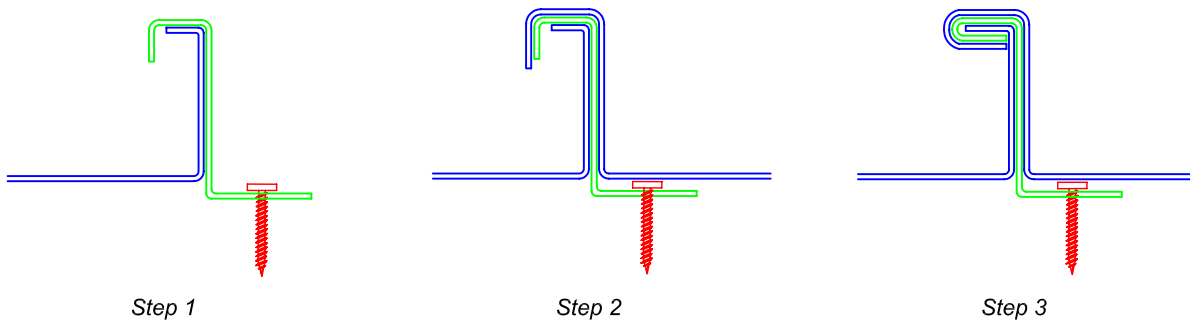


## INTRODUCTION

The Series 1300 System consists of 1-1/2" High Architectural Panels which are available in: 24 GA. Steel and 0.032" Aluminum in a variety of finishes.

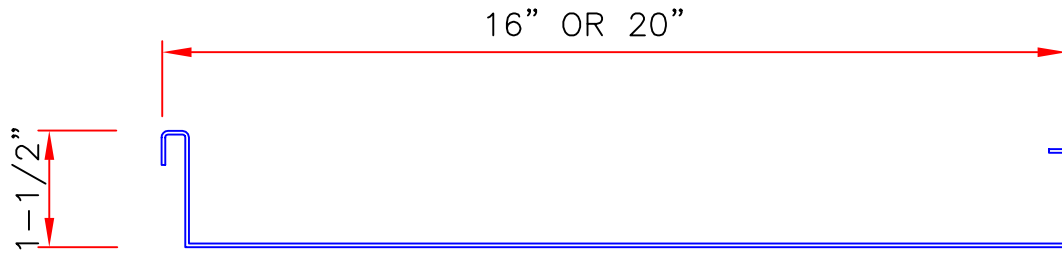


The three drawings below illustrate the seaming process. Starting with *Step 1*, clips are installed over the male leg and fastened to the substrate. *Step 2* involves the female leg of the adjoining panel to then be set on the male leg/clip assembly. *Step 3* involves the panels to be seamed, with either a mechanical or hand seamer. The seam shown is a 90 degree seam or "Single Lock". A 180 degree seam or "Double Lock" seam is optional. This type of seam is typically required where high wind loads are needed. Data from extensive wind uplift tests is available for different alloys.



## TESTS

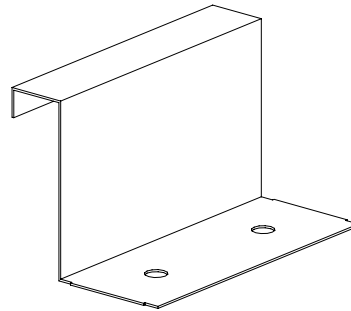
- 1) ASTM E 1680-95 Air Filtration Test
- 2) ASTM E 1646-95 Water Penetration Test
- 3) UL-580 Classification Report
- 4) ASTM E 1592 Structural Test Report



Stiffening Ribs Available

**SERIES 1300 PANEL**

**Panel Profile**



**SERIES 1300 PANEL**

**Fixed Panel Clip**

(Expansion Clips Available upon request / not shown here)

AVAILABILITY

	GALVALUME PLUS	GALVALUME PC3500	G-90 PC3500	ALUMINUM PC3500
22 GA.				
24 GA.	●	●	●	
.032"				
.040"				●

## **SAFETY PRECAUTIONS**

Follow all OSHA safety practices and regulations.

Extreme care should be taken when unloading, handling and installing metal roofs. Material may be heavy and bulky; metal edges may be sharp; and working at heights is dangerous.

The installer should wear heavy duty gloves and a long sleeve shirt when handling metal items as they may be sharp and can cause severe cuts. Safety goggles should be worn when cutting and drilling metal items or installing fasteners.

Proper fall protection should be used when working on the roof. The installer should be extra careful when on the roof as panels can be slippery when wet or oily.

## **FIELD CUTTING METAL**

It is recommended that only snips, nibblers or electric powered shears be used. Cut panels with the bottom side up in order to avoid cuttings from contacting the finished surface of the panel. Panels should be immediately brushed clean after cutting to remove any shavings. Follow the safety recommendations of the tool manufacturer.

Goggles, heavy duty gloves and long sleeves must be worn for protection while cutting metal.

## **DELIVERY & STORAGE**

Unload and inspect the delivered materials for damage. Store the panels and accessories under waterproof covers and above ground on skidded platforms. Provide proper ventilation to prevent condensation.

## **PRE-INSTALLATION**

All projects should conform to applicable building codes.

The minimum recommended roof pitch is 3" per foot. (Depending on panel length)

The building must be squared according to acceptable building practices. Check the roof for square by measuring diagonally across one slope of the roof from similar points at the eave and ridge and confirming the same dimension. The substructure (eave to ridge) must be on plane within a ¼" tolerance.

## PRE-INSTALLATION CONTINUED

Provide a written report of discrepancies to the architect. ***Do not begin the installation until unsatisfactory conditions have been corrected*** as starting installation usually indicates acceptance of the substrate.

Wait until adjoining areas scheduled for stuccoing have been completed and washed down. Do not wash down acid residues from stucco directly over the metal.

## ROOF INSTALLATION

The panels must be installed over a complete moisture-proofed substrate. Install #30 Asphalt Saturated Felt over the entire solid substrate. Under all flashing areas including eaves, apply a layer of Englert HT Underlayment, then overlay and install a layer of #30 Felt. All of these moisture barriers must be installed in a smooth continuous manner.

The panels should be installed square (perpendicular) to the eave. Panel seams should face away from the direction of the prevailing wind.

The seams shall be parallel and they shall be aligned for hips, ridges and valleys when possible.

No surface penetrations shall be made in panels without specific architect approval. All panels shall be continuous from eave to ridge without any horizontal end laps.

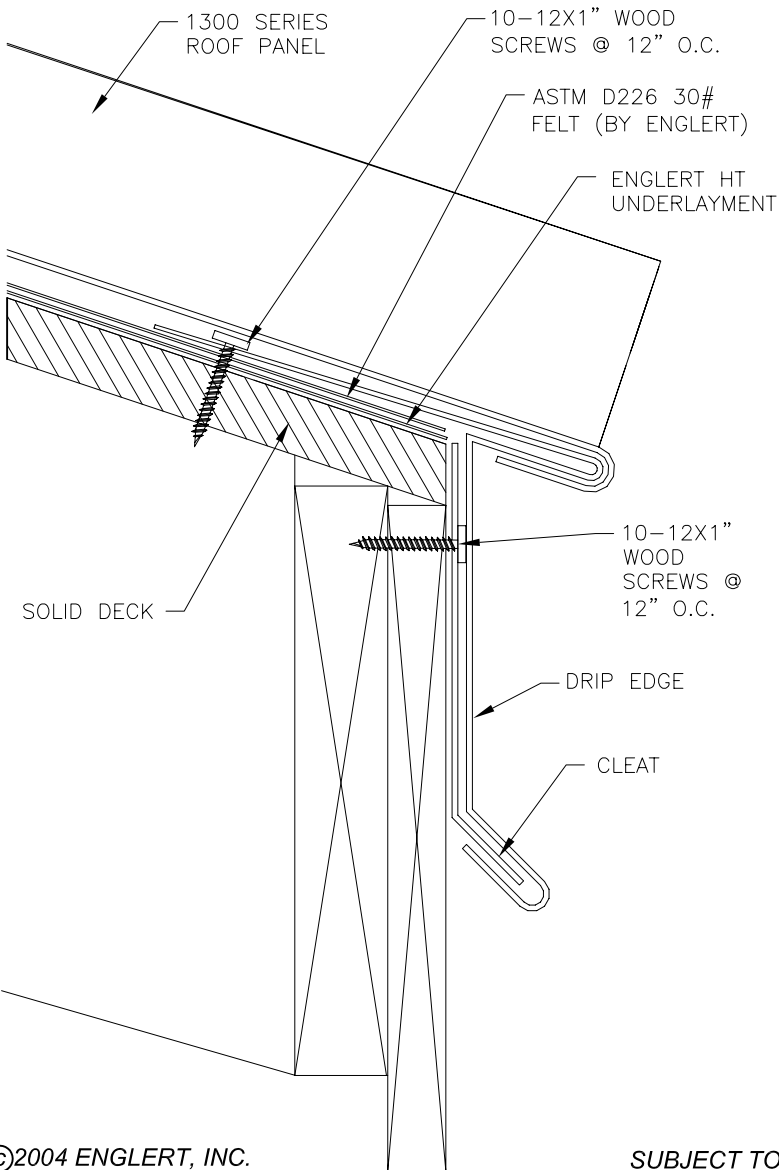
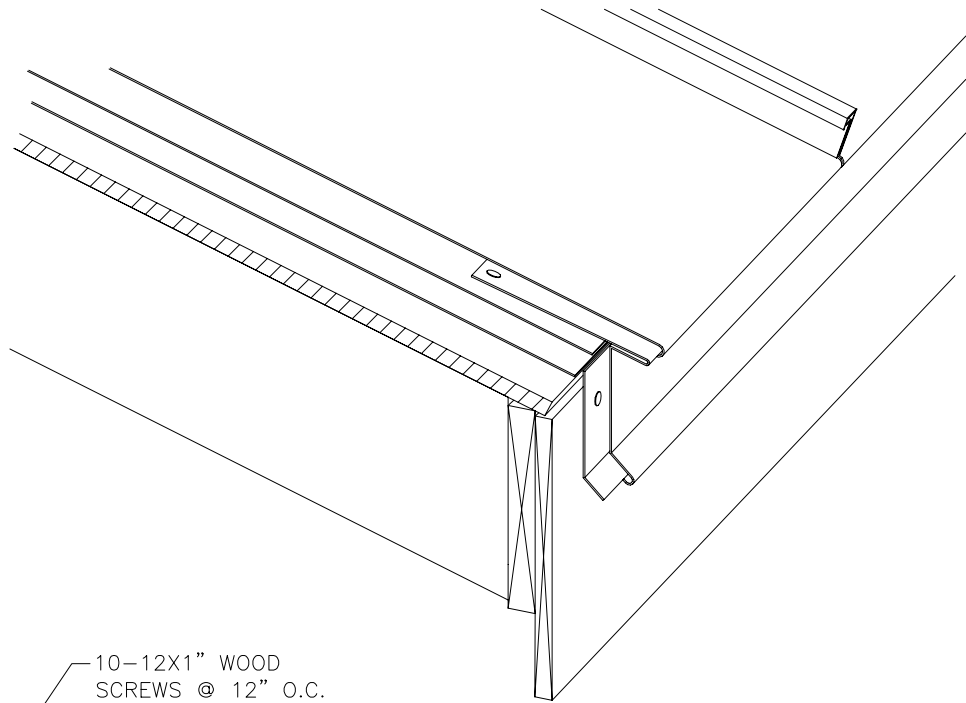
Do not overdrive fasteners as this can cause panel distortion.

End lap all flashing and trim at least 3". All gutters must be mitered, caulked and have a lining of HT Underlayment applied at the laps to make it watertight. All butt joints must be caulked.

## CLEANUP

Peel off any strippable film on flashing as they are installed. Complete all items on punch list. Touchup minor scratches. Remove all debris associated with the roof installation.

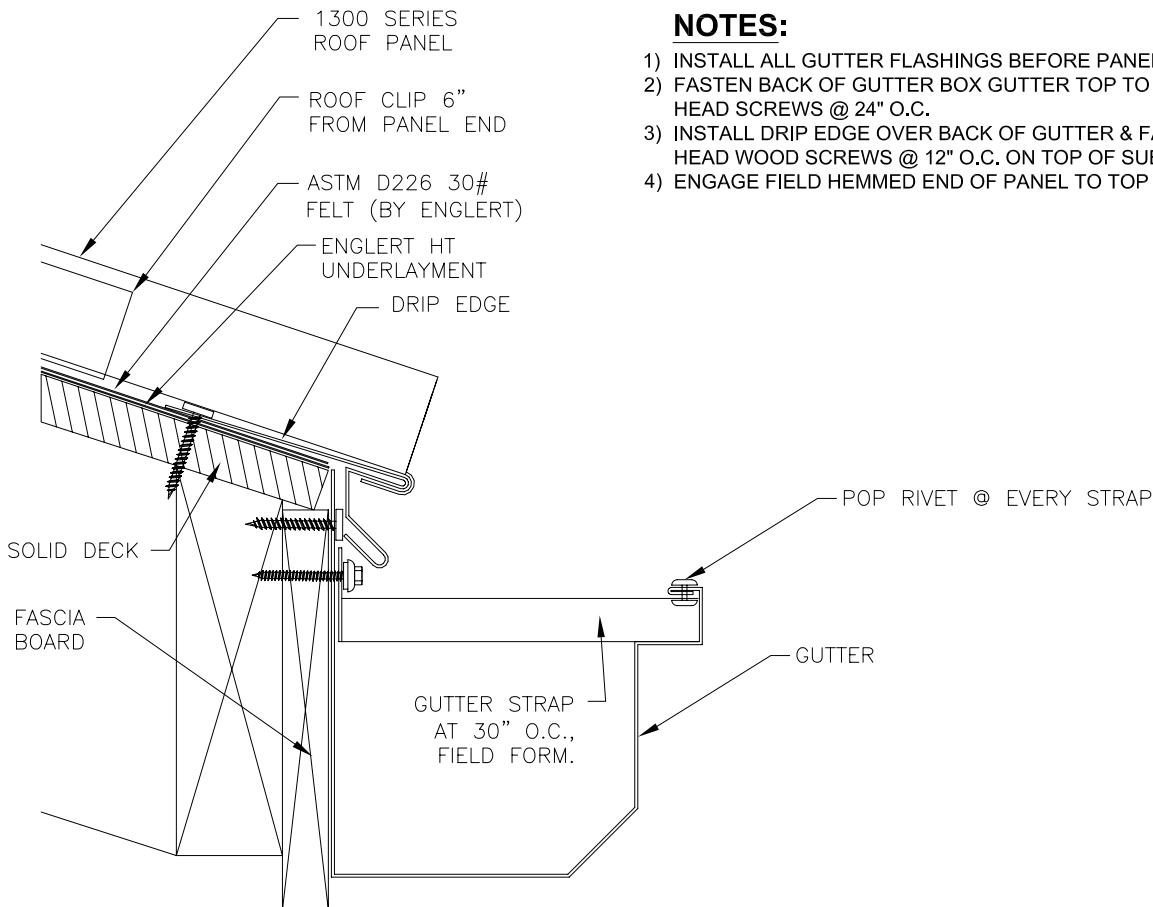
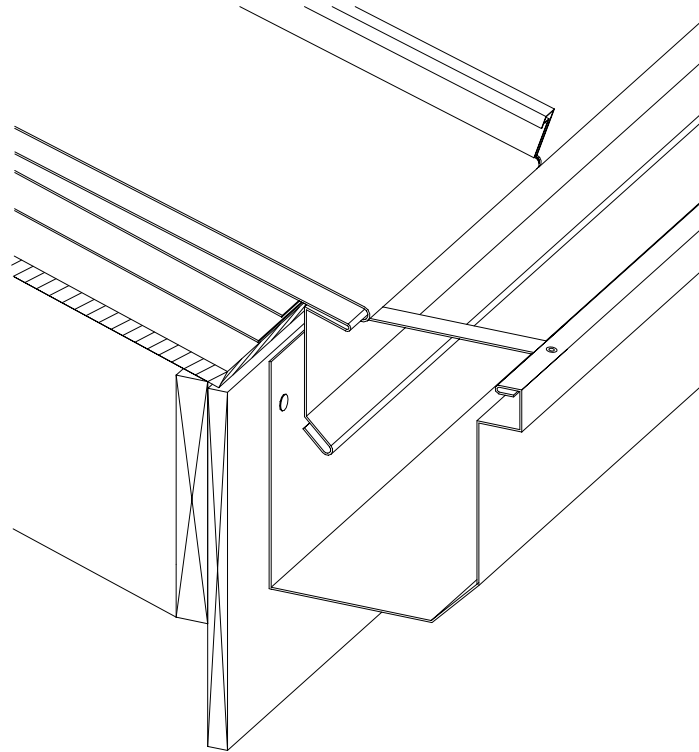
TYPICAL EAVE TRIM DETAIL



**NOTES:**

- 1) INSTALL CLEAT ONTO FASCIA WITH #10-12x1" WOOD SCREW, 12" O.C.
- 2) INSTALL DRIP EDGE BY SLIDING OPEN HEM ONTO CLEAT & FASTENING WITH #10-12x1" WOOD SCREW, 12" O.C. ONTO SUBSTRATE.
- 3) ENGAGE DRIP EDGE INTO OPEN HEM OF PANEL TO BEGIN PANEL INSTALLATION.

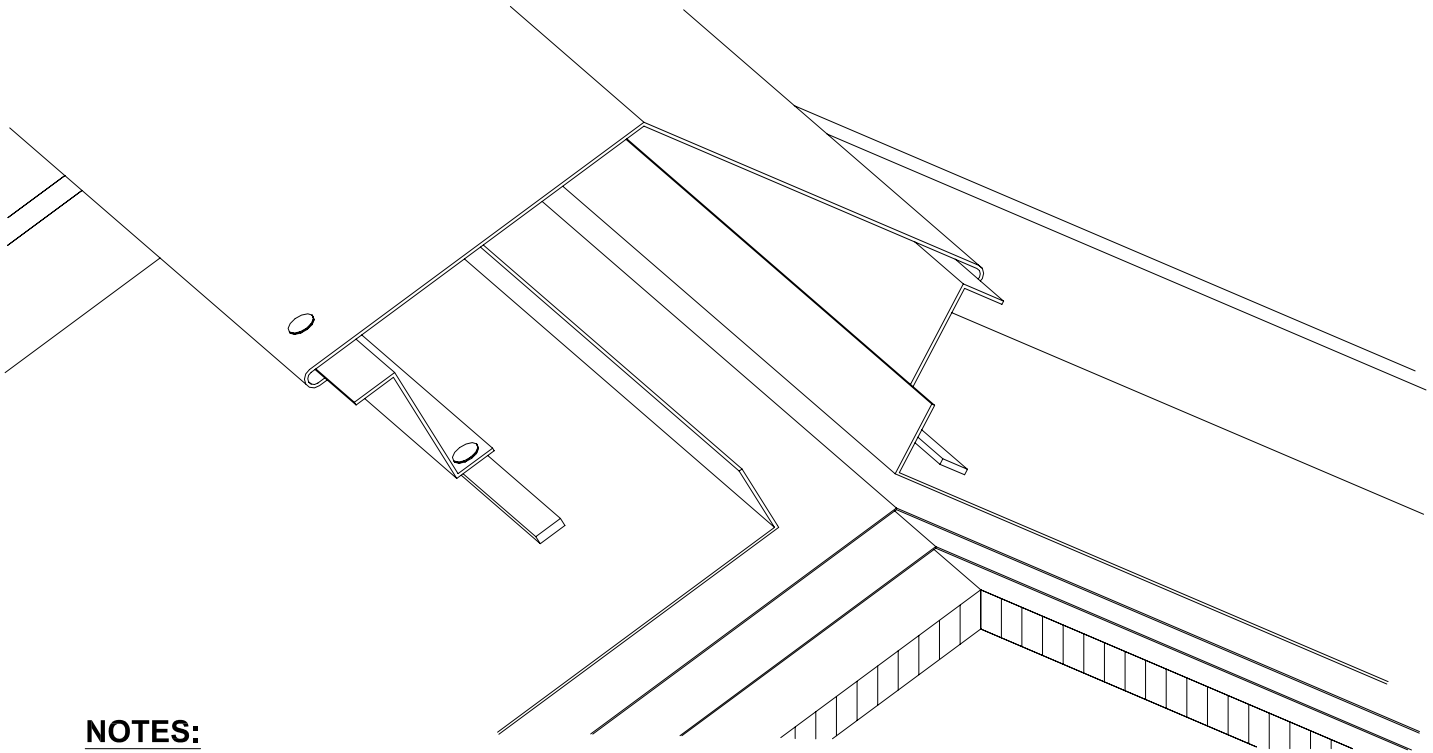
TYPICAL GUTTER DETAIL



**NOTES:**

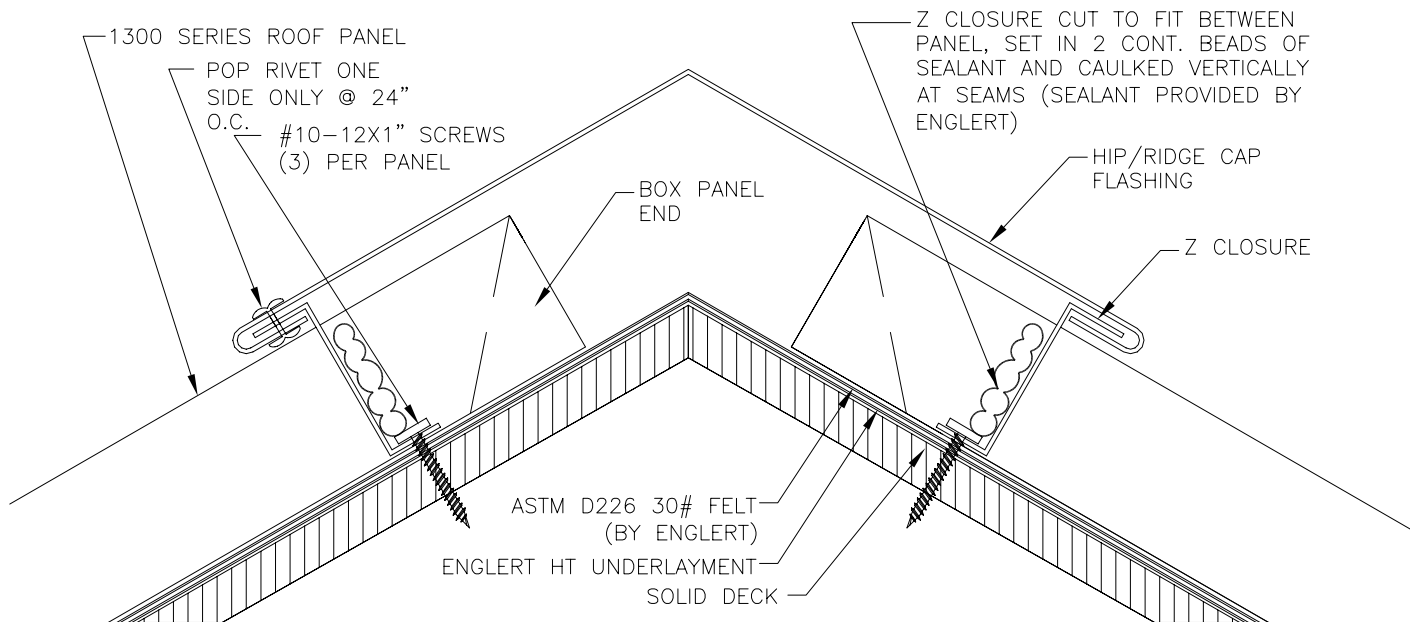
- 1) INSTALL ALL GUTTER FLASHINGS BEFORE PANEL INSTALLATION
- 2) FASTEN BACK OF GUTTER BOX GUTTER TOP TO FASCIA W/ #10-12X1" PANCAKE HEAD SCREWS @ 24" O.C.
- 3) INSTALL DRIP EDGE OVER BACK OF GUTTER & FASTEN #10-12X1" PANCAKE HEAD WOOD SCREWS @ 12" O.C. ON TOP OF SUBSTRATE
- 4) ENGAGE FIELD HEMMED END OF PANEL TO TOP HEM OF DRIP EDGE

TYPICAL HIP / RIDGE DETAIL



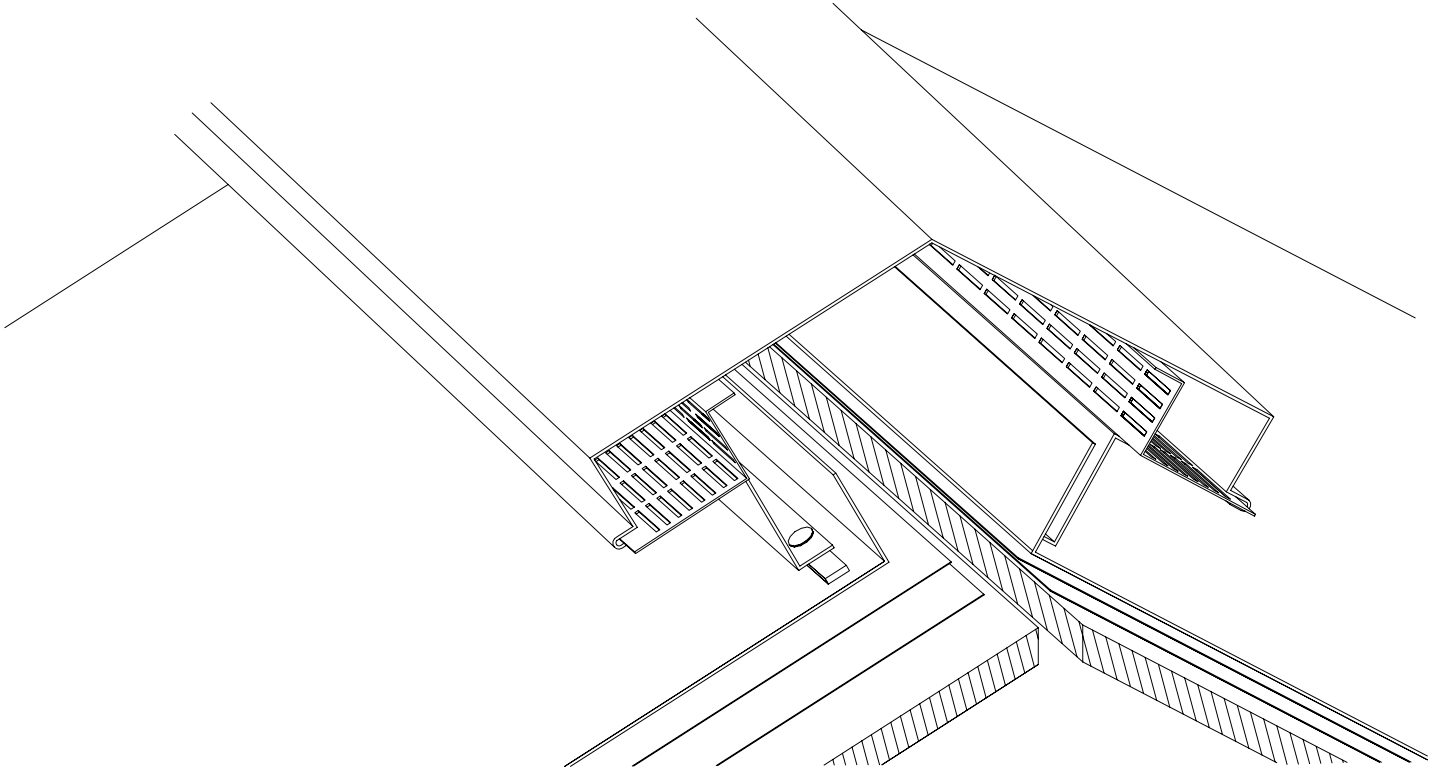
**NOTES:**

- 1) BOX END OF PANELS.
- 2) FIELD CUT "Z" CLOSURES TO FIT BETWEEN PANEL RIBS.
- 3) SET "Z" CLOSURE IN TAPE SEALANT OR 2 CONT. BEADS OF SEALANT AND ATTACH TO PANEL WITH (3) #10-12X1" WOOD SCREWS.
- 4) APPLY SEALANT ON SIDE LEGS OF "Z" CLOSURE, FILLING ANY GAPS AROUND PANEL RIBS.
- 5) ATTACH RIDGE/HIP FLASHING TO "Z" CLOSURES WITH A POP RIVET ON ONE SIDE AT 24" O.C.
- 6) IF ADDITIONAL FLASHING LENGTHS ARE REQUIRED, APPLY SEALANT AND LAP THE FLASHING OVER THE INSTALLED FLASHING BY A MINIMUM OF 3" SECURING THE CONNECTION WITH POP RIVETS.



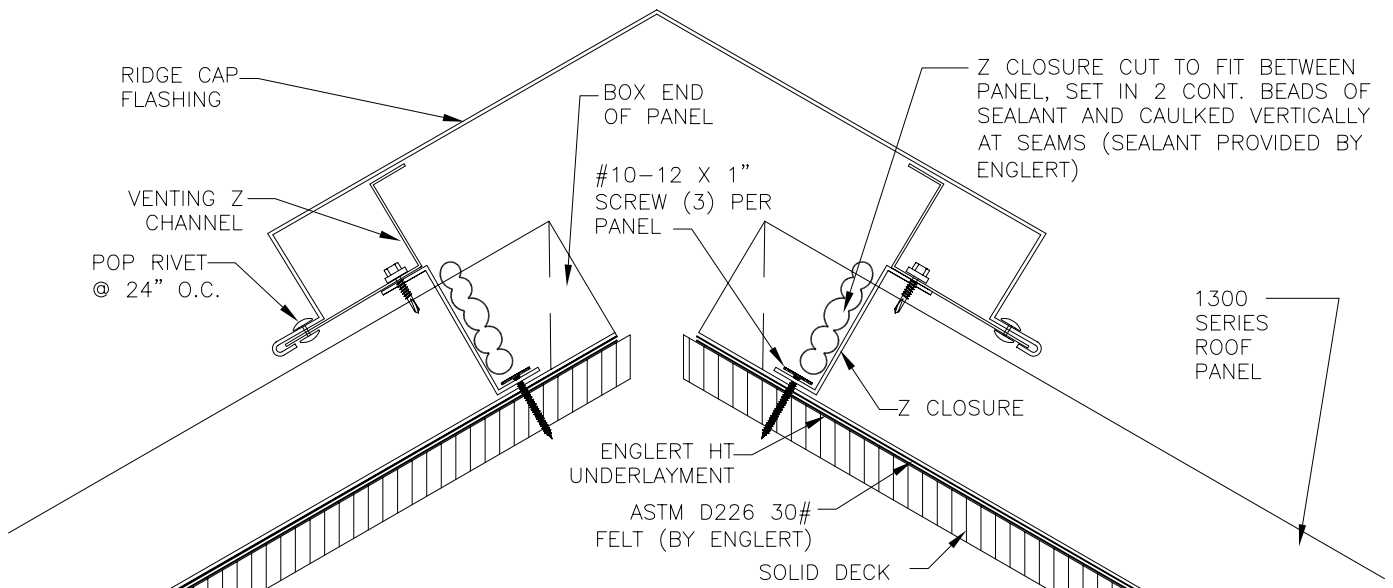


METAL VENTED RIDGE DETAIL

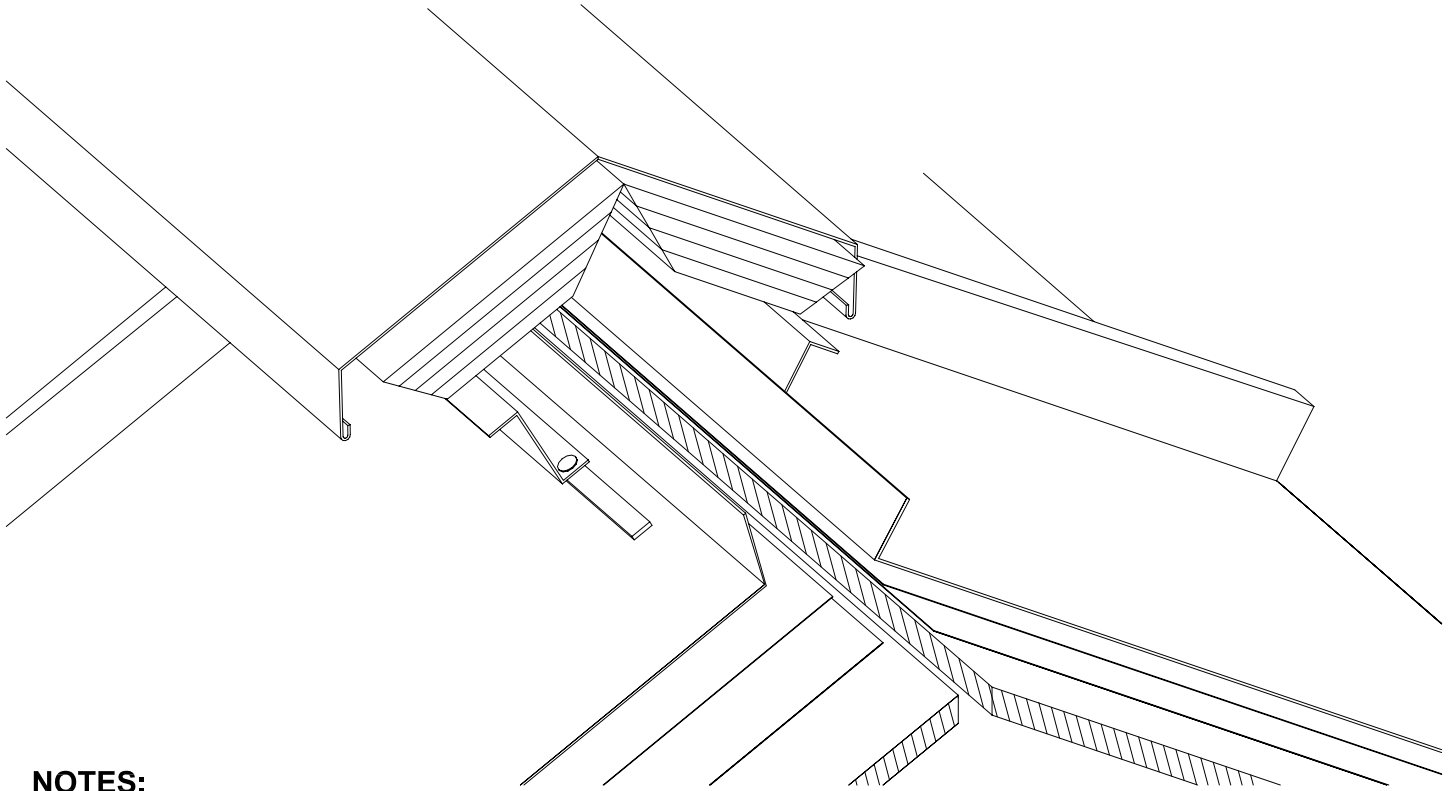


**NOTES:**

- 1) BOX END OF PANELS.
- 2) SET "Z" CLOSURE IN TAPE SEALANT OR 2 CONT. BEADS OF SEALANT AND ATTACH TO PANEL WITH (3) #10-12X1" WOOD SCREWS.
- 3) ATTACH BOTTOM OF VENTED "Z" CLOSURE TO TOP OF "Z CLOSURE" WITH STITCH SCREWS @ 24" O.C.
- 4) HOOK OTHER HEM SIDE OF RIDGE CAP ONTO THE LONG END OF THE OTHER VENTED "Z" CLOSURE AND POP RIVET BOTH SIDES @ 24" O.C.
- 5) INSERT LONG END OF VENTED "Z" CLOSURE INTO AN OPEN HEM SIDE OF RIDGE CAP.

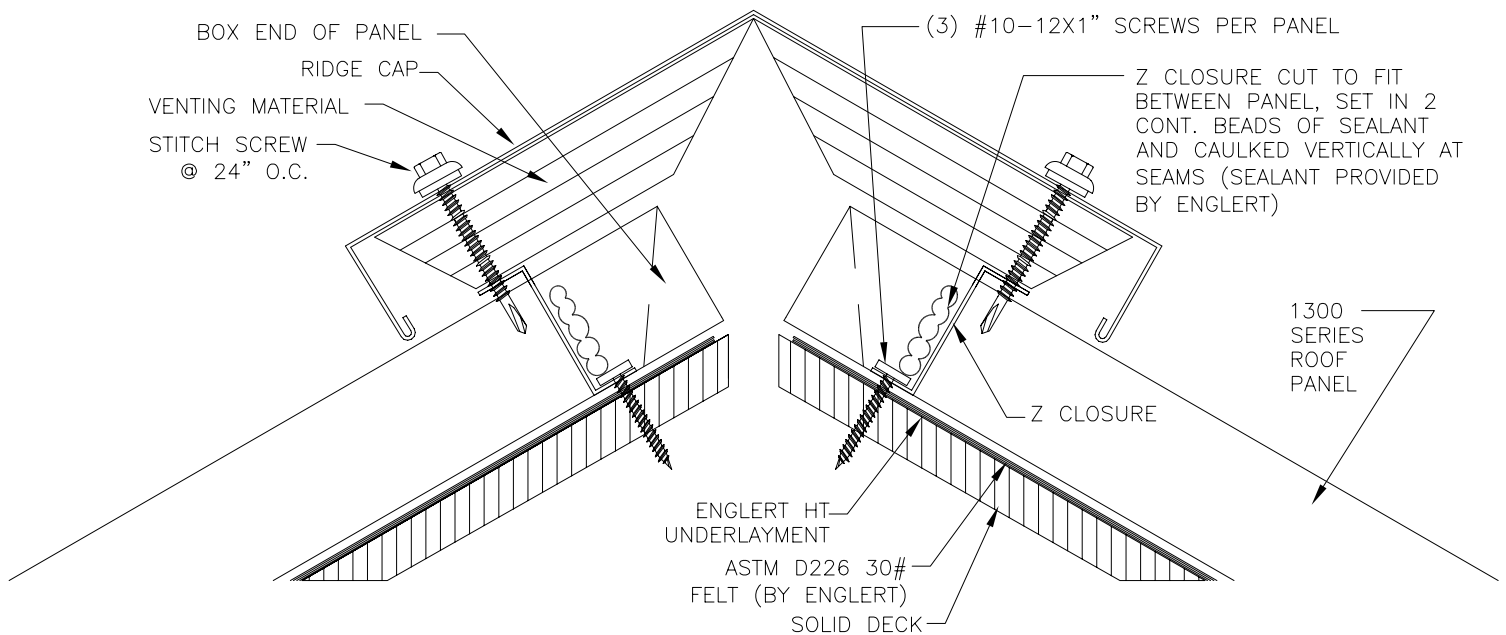


## VENTED RIDGE DETAIL

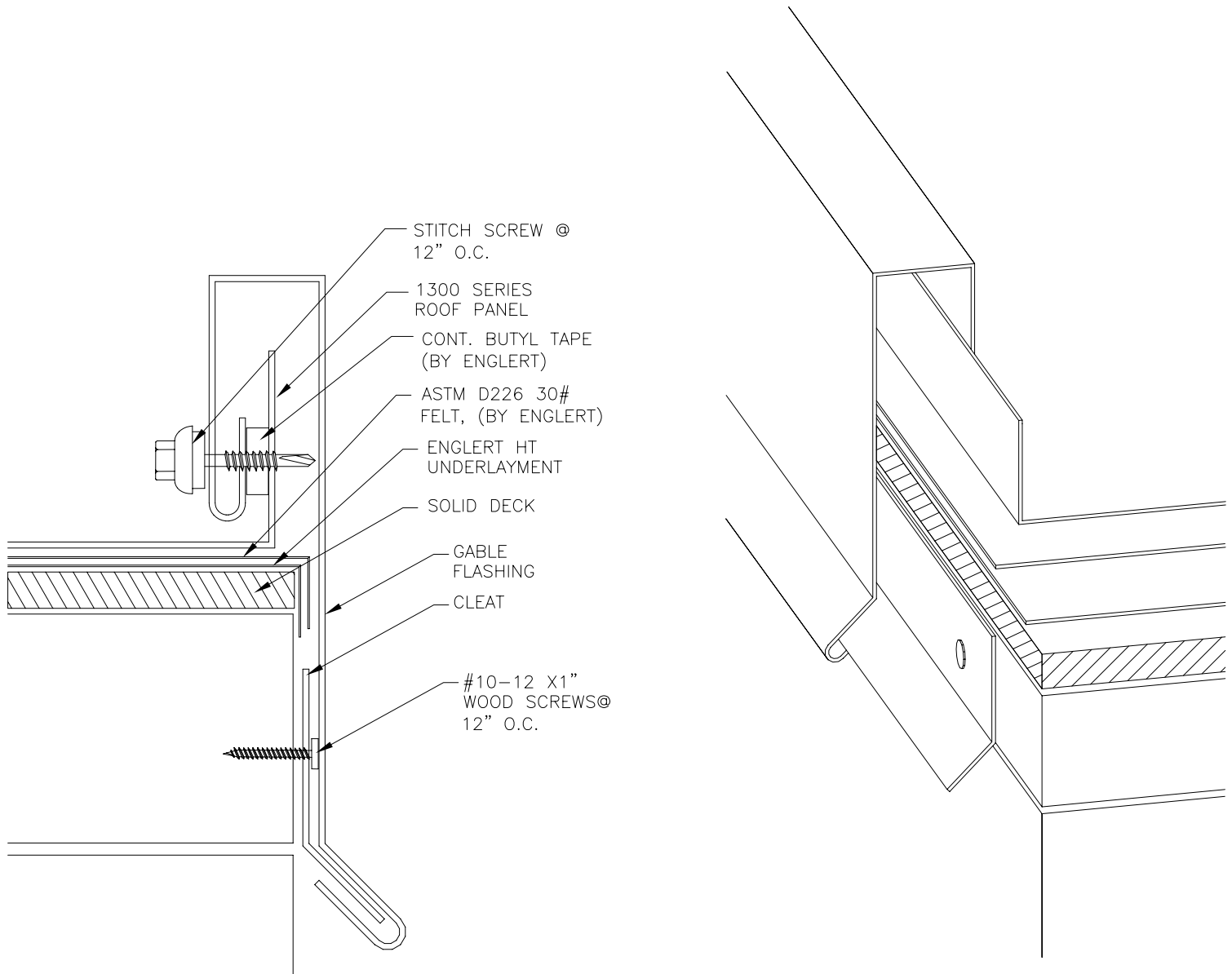


### NOTES:

- 1) BOX END OF PANELS.
- 2) FIELD CUT "Z CLOSURES" TO FIT BETWEEN PANEL RIBS. SET "Z" CLOSURE IN TAPE SEALANT OR 2 CONT. BEADS OF SEALANT AND ATTACH TO PANEL WITH (3) #10-12X1" WOOD SCREWS.
- 3) APPLY SEALANT ON SIDE LEGS OF "Z" CLOSURE, FILLING ANY GAPS AROUND PANEL RIBS.
- 4) ATTACH RIDGE FLASHING TO "Z" CLOSURES THROUGH VENTING MATERIAL WITH A STICH SCREW AT 24" O.C.
- 5) IF ADDITIONAL FLASHING LENGTHS ARE REQUIRED, APPLY SEALANT AND LAP THE FLASHING OVER THE INSTALLED FLASHING BY A MINIMUM OF 3" SECURING THE CONNECTION WITH POP RIVETS.



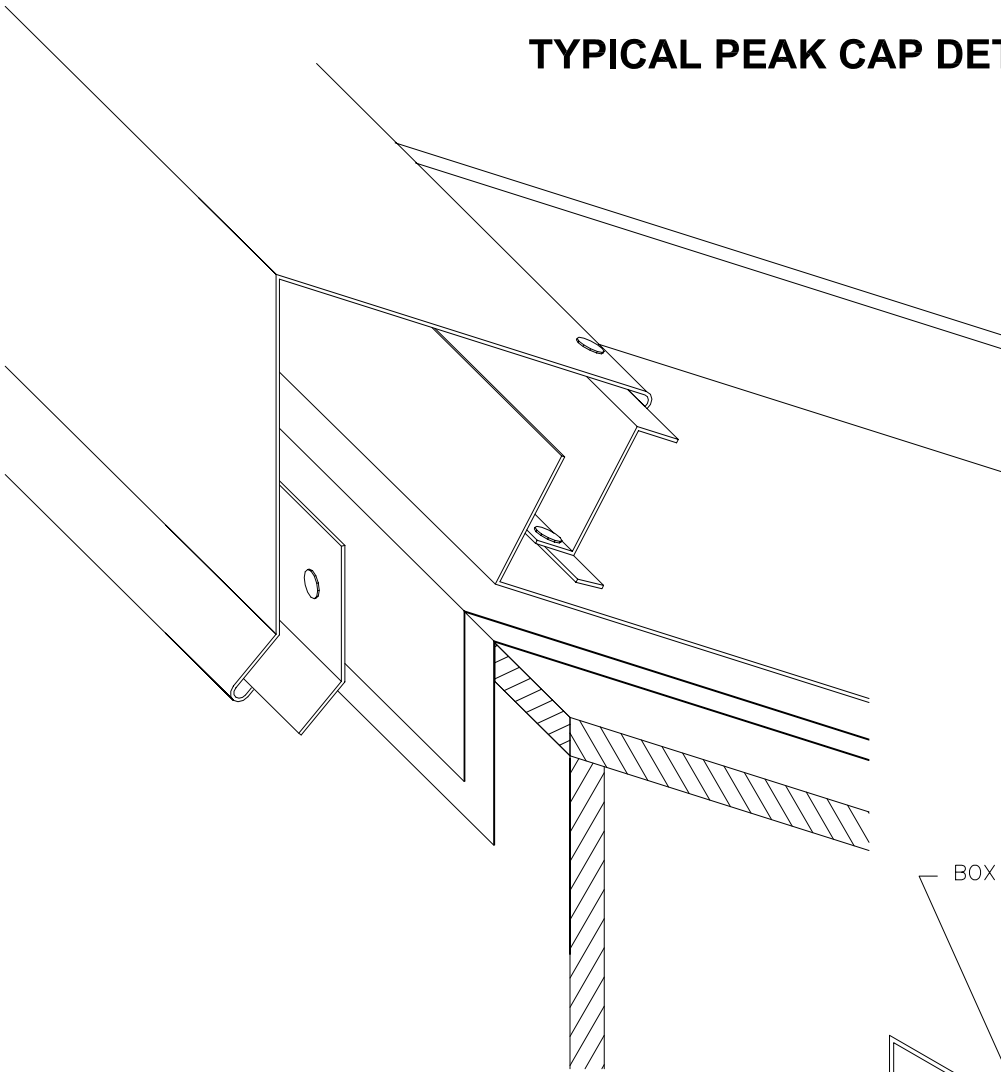
TYPICAL GABLE DETAIL



**NOTES:**

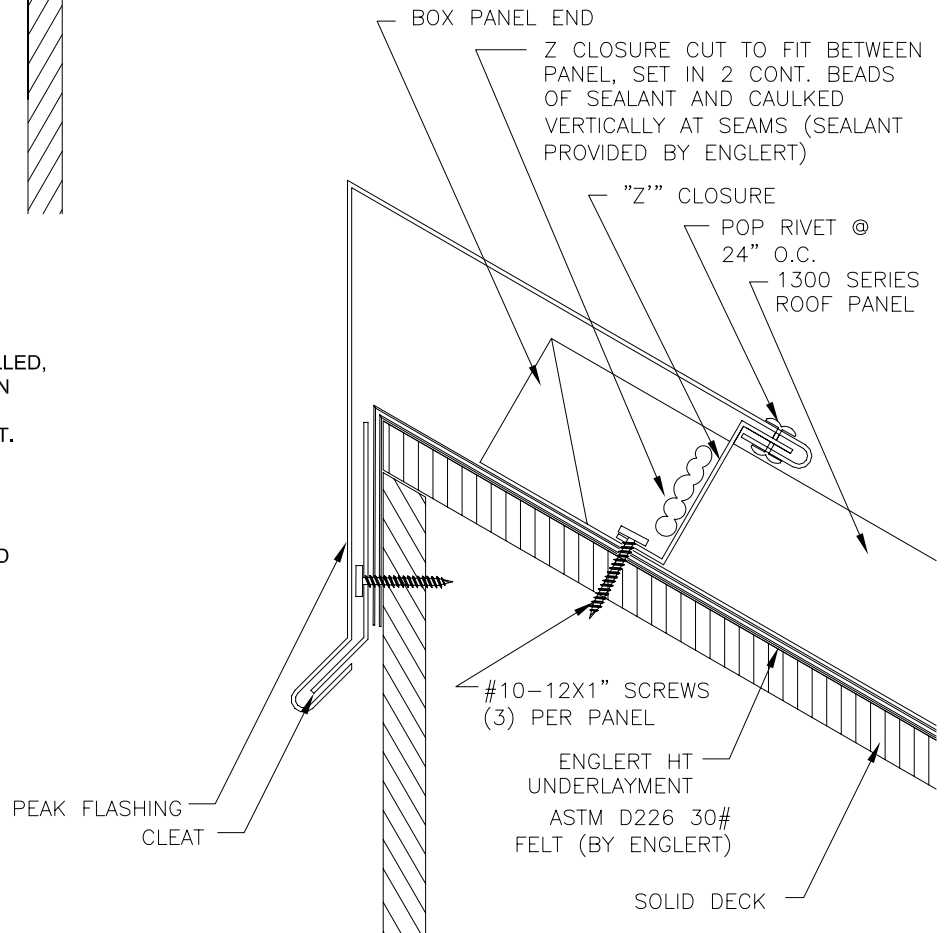
- 1) INSTALL CLEAT ON TO FASCIA WITH #10-12X1" PANCAKE HEAD WOOD SCREWS @ 12" O.C.
- 2) FIELD BEND PANEL AT 90 DEGREES, 1-1/2" MINIMUM.
- 3) ADHERE A CONTINUOUS LENGTH OF BUTYL TAPE (BY ENGLERT) ONTO THE TOP INSIDE OF THE PANEL LEG.
- 4) SLIDE GABLE FLASHING ONTO CLEAT AND ALIGN WITH PANEL.
- 5) CONNECT GABLE FLASHING WITH A STITCH SCREW AT 12" O.C.

TYPICAL PEAK CAP DETAIL

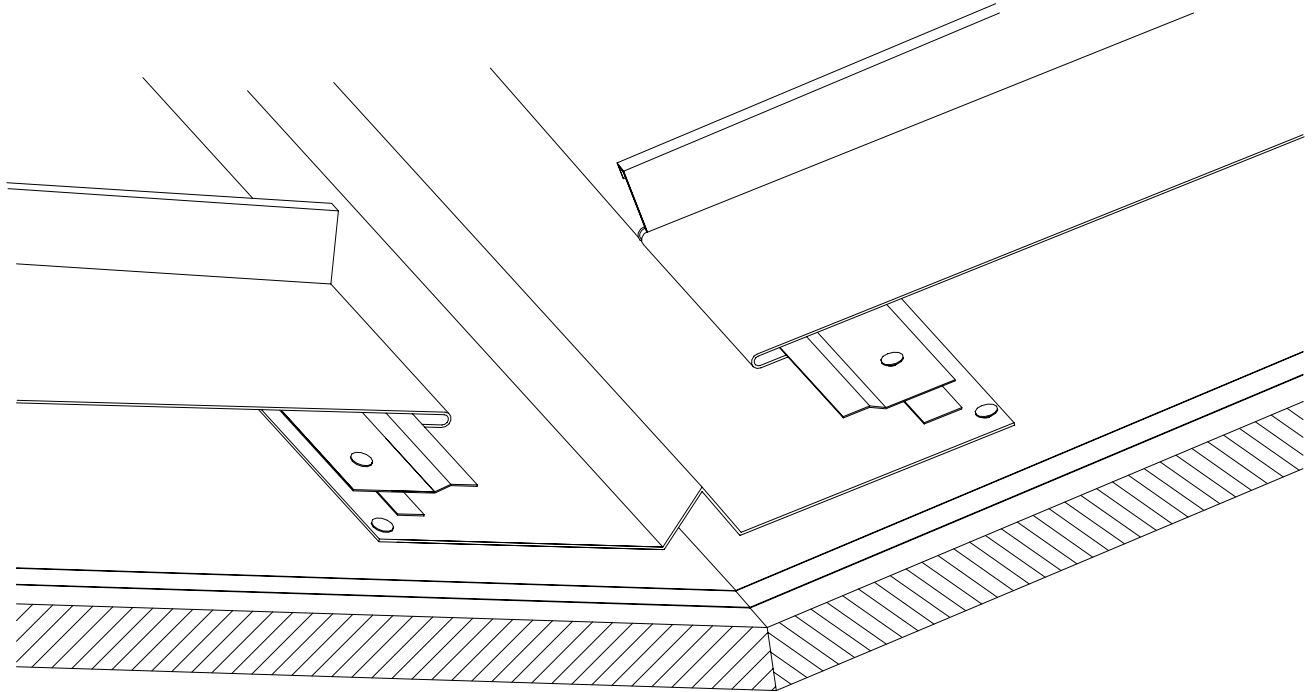


**NOTES:**

- 1) ONCE PANELS HAVE BEEN BOXED AND INSTALLED, FIELD CUT THE "Z" CLOSURES TO FIT BETWEEN THE PANEL RIBS.
- 2) SET "Z" CLOSURE IN TAPE SEALANT OR 2 CONT. BEADS OF SEALANT AND FASTEN THROUGH PANELS WITH (3) #10-12X1" WOOD SCREWS. CAULK THE "Z" CLOSURES VERTICALLY AT THE SEAMS.
- 3) INSTALL CLEAT WITH #10-12X1" PANCAKE HEAD WOOD SCREWS @ 12" O.C.
- 4) INSTALL THE PEAK CAP BY SLIDING THE OPEN HEMS ONTO THE CLEAT AND "Z" CLOSURE, ATTACHING WITH POP RIVETS @ 24" O.C.

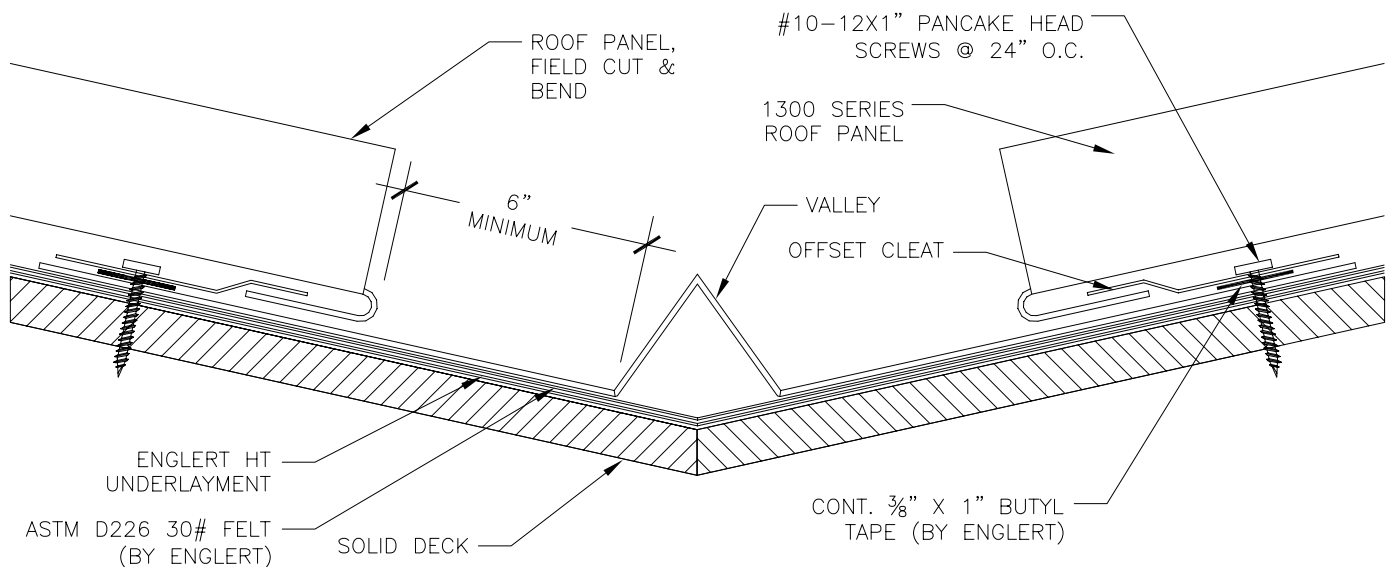


**TYPICAL VALLEY DETAIL**

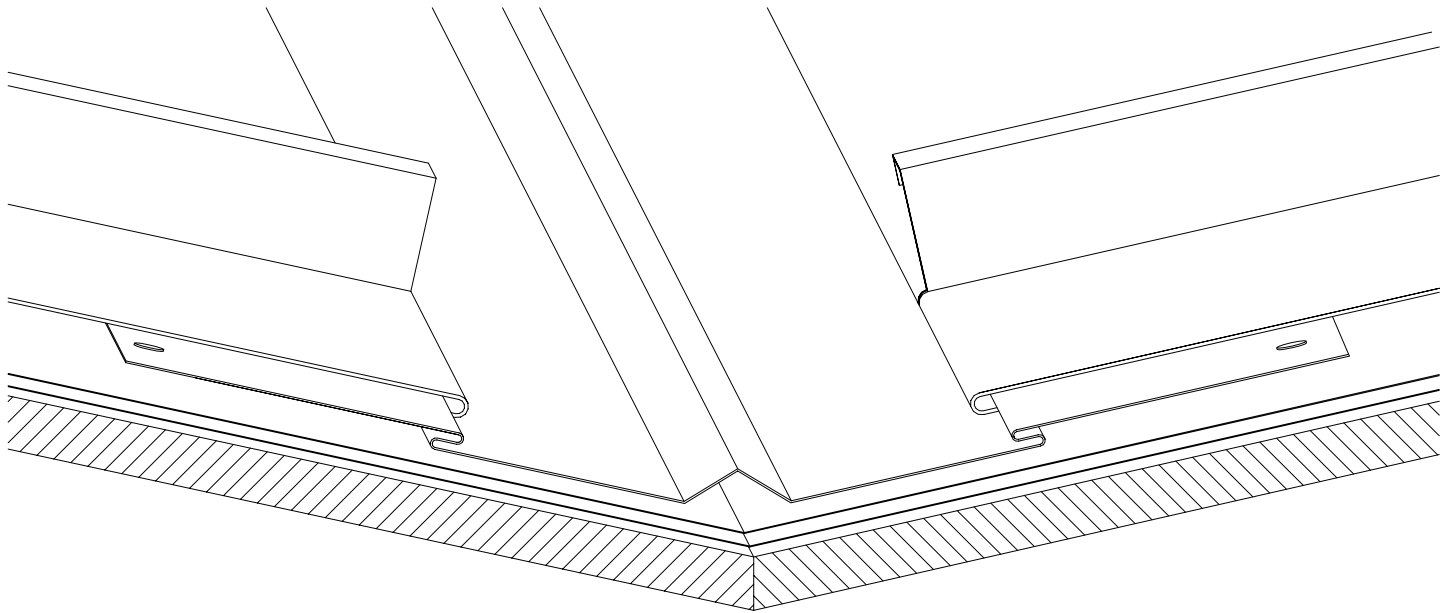


**NOTES:**

- 1) INSTALL ALL VALLEY FLASHINGS BEFORE PANEL INSTALLATION
- 2) FASTEN VALLEY FLASHING TO SUBSTRATE WITH #10-12X1" PANCAKE HEAD WOOD SCREWS 24" O.C.
- 3) ALIGN AND INSTALL OFFSET CLEAT WITH TAPE SEALANT ON BOTH SIDES OF VALLEY FLASHING AT LEAST 6" BACK FROM CENTER OF VALLEY FLASHING.
- 5) FASTEN OFFSET CLEAT THROUGH VALLEY FLASHING AND TAPE SEALANT TO SUBSTRATE WITH #10-12X1" PANCAKE HEAD WOOD SCREWS 24" O.C.
- 6) FIELD HEM PANEL.
- 7) ENGAGE FIELD HEMMED END OF PANEL TO OFFSET CLEAT AND ATTACH PANEL AS USUAL.

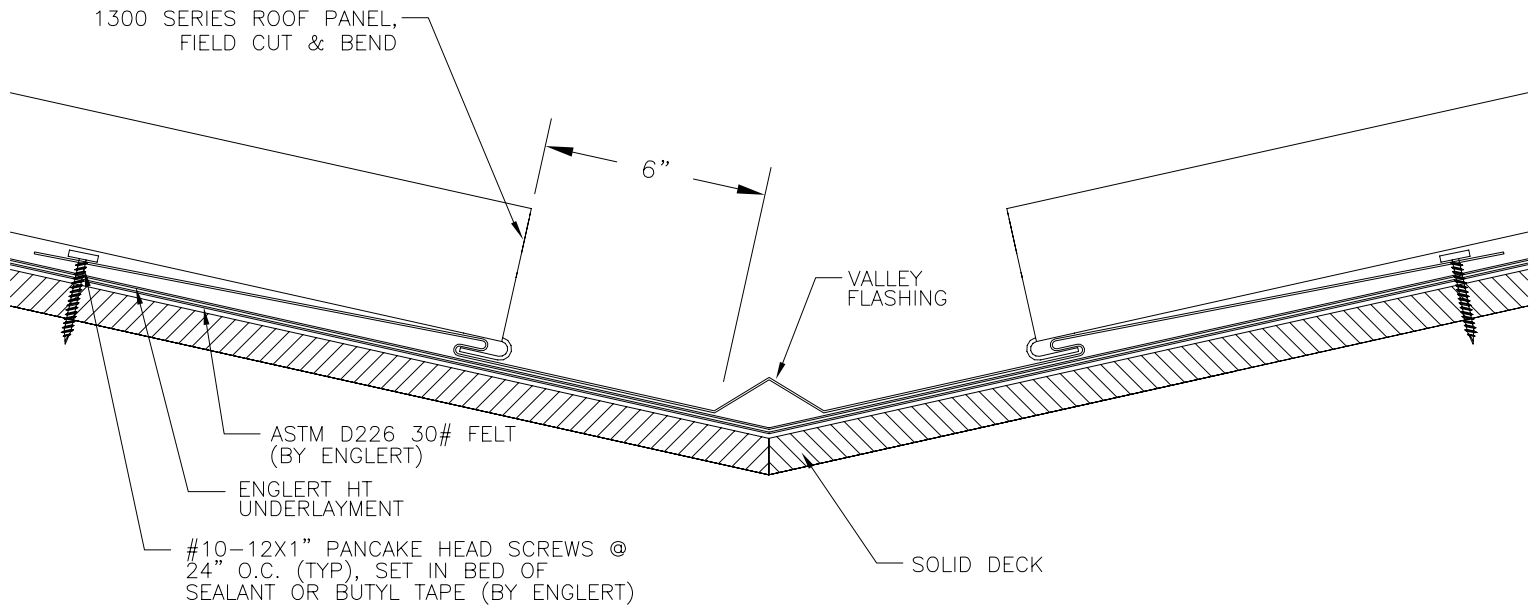


**TYPICAL VALLEY DETAIL**

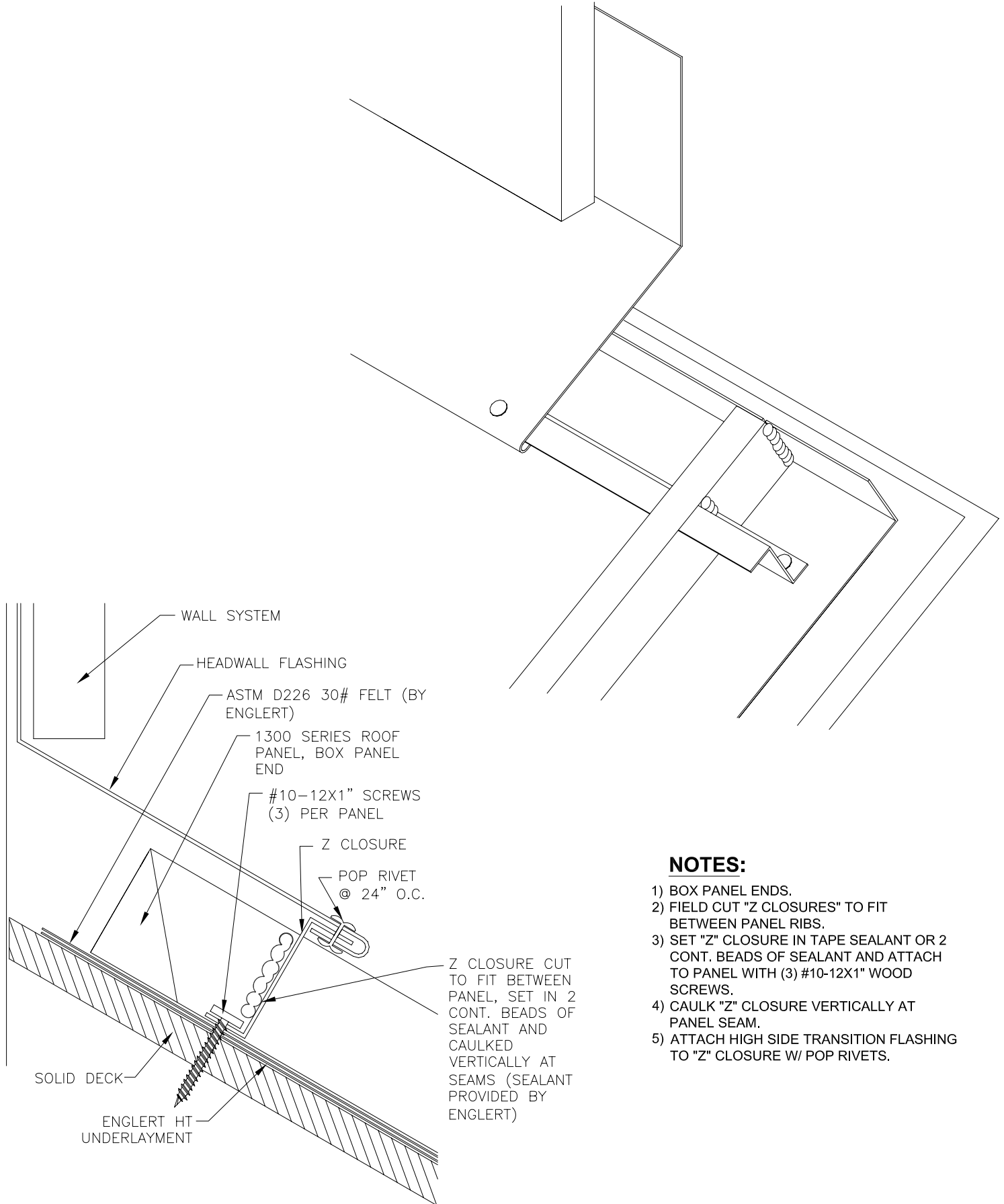


**NOTES:**

- 1) INSTALL ALL VALLEY FLASHINGS BEFORE PANEL INSTALLATION.
- 2) FASTEN VALLEY FLASHING TO SUBSTRATE W/ #10-12X1" PANCAKE HEAD WOOD SCREWS 24" O.C.
- 3) FIELD HEM PANEL.
- 4) ENGAGE FIELD HEMMED END OF PANEL TO INTEGRATED VALLEY CLEAT.



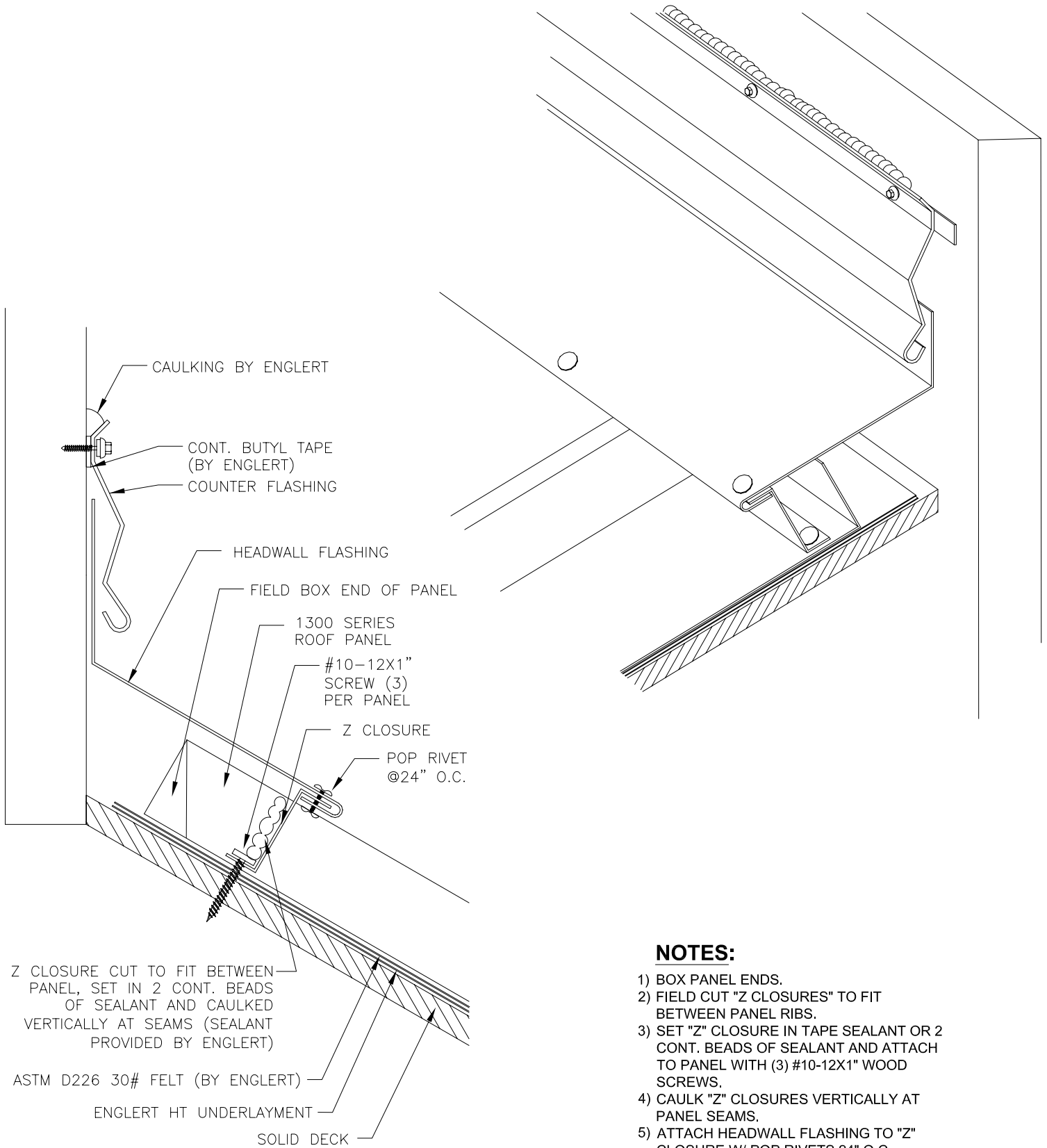
**TYPICAL HEADWALL DETAIL**



**NOTES:**

- 1) BOX PANEL ENDS.
- 2) FIELD CUT "Z CLOSURES" TO FIT BETWEEN PANEL RIBS.
- 3) SET "Z" CLOSURE IN TAPE SEALANT OR 2 CONT. BEADS OF SEALANT AND ATTACH TO PANEL WITH (3) #10-12X1" WOOD SCREWS.
- 4) CAULK "Z" CLOSURE VERTICALLY AT PANEL SEAM.
- 5) ATTACH HIGH SIDE TRANSITION FLASHING TO "Z" CLOSURE W/ POP RIVETS.

**TYPICAL HEADWALL DETAIL**



CAULKING BY ENGLERT

CONT. BUTYL TAPE (BY ENGLERT)

COUNTER FLASHING

HEADWALL FLASHING

FIELD BOX END OF PANEL

1300 SERIES ROOF PANEL

#10-12X1" SCREW (3) PER PANEL

Z CLOSURE

POP RIVET @24" O.C.

Z CLOSURE CUT TO FIT BETWEEN PANEL, SET IN 2 CONT. BEADS OF SEALANT AND CAULKED VERTICALLY AT SEAMS (SEALANT PROVIDED BY ENGLERT)

ASTM D226 30# FELT (BY ENGLERT)

ENGLERT HT UNDERLAYMENT

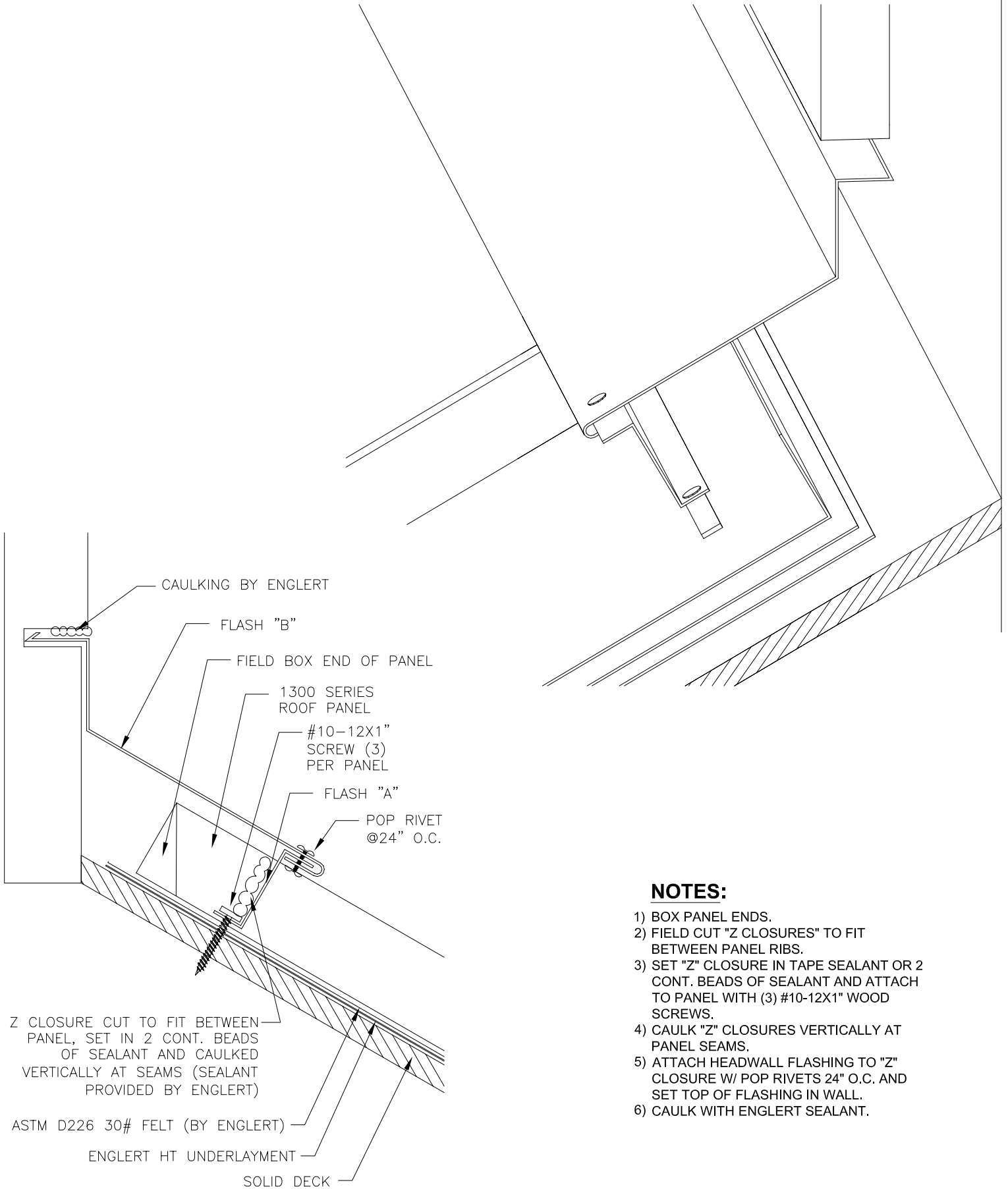
SOLID DECK

**NOTES:**

- 1) BOX PANEL ENDS.
- 2) FIELD CUT "Z CLOSURES" TO FIT BETWEEN PANEL RIBS.
- 3) SET "Z" CLOSURE IN TAPE SEALANT OR 2 CONT. BEADS OF SEALANT AND ATTACH TO PANEL WITH (3) #10-12X1" WOOD SCREWS.
- 4) CAULK "Z" CLOSURES VERTICALLY AT PANEL SEAMS.
- 5) ATTACH HEADWALL FLASHING TO "Z" CLOSURE W/ POP RIVETS 24" O.C.
- 6) INSTALL COUNTER FLASHING AND CAULK TOP WITH ENGLERT SEALANT.



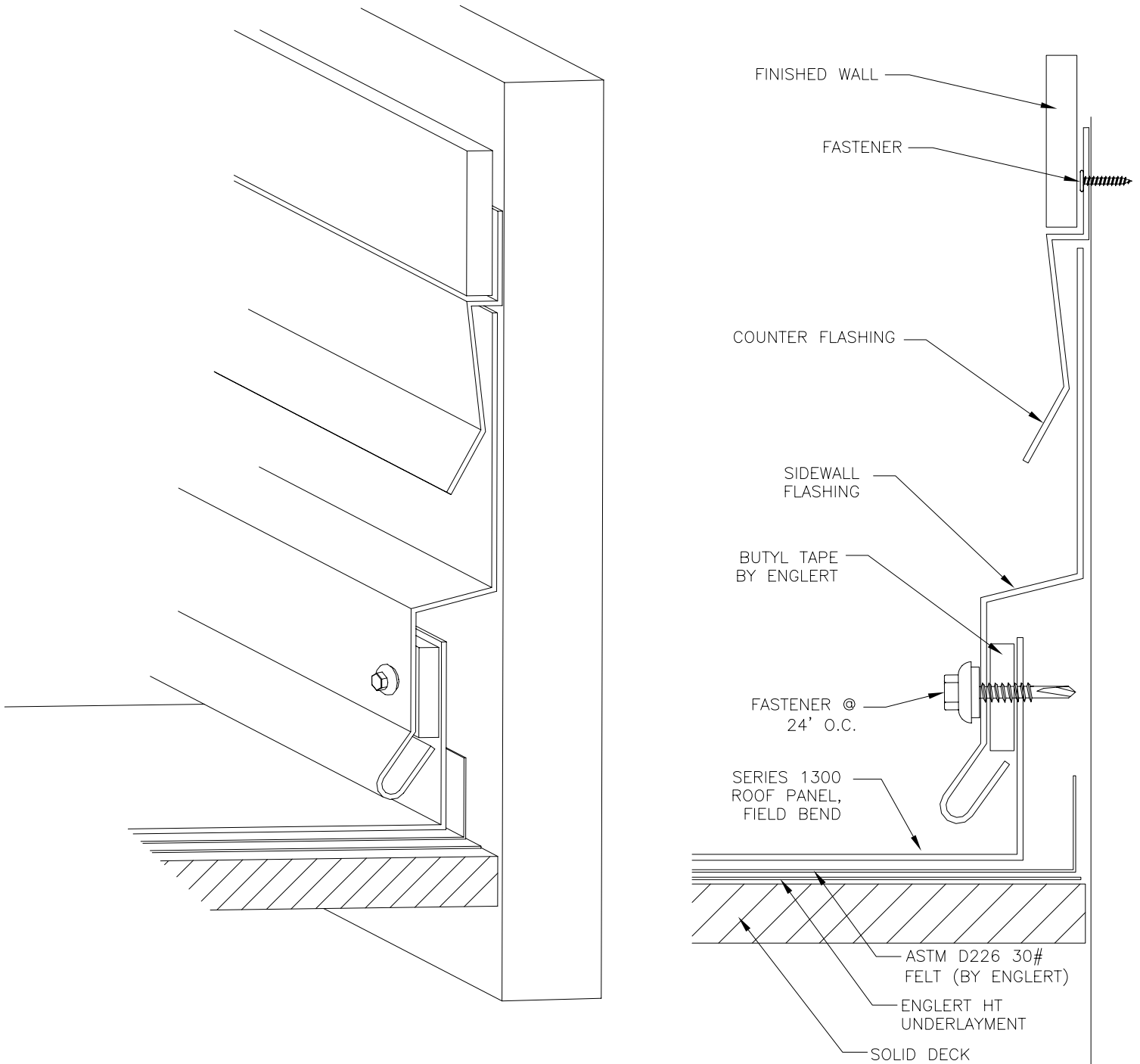
**TYPICAL HEADWALL DETAIL**



**NOTES:**

- 1) BOX PANEL ENDS.
- 2) FIELD CUT "Z CLOSURES" TO FIT BETWEEN PANEL RIBS.
- 3) SET "Z" CLOSURE IN TAPE SEALANT OR 2 CONT. BEADS OF SEALANT AND ATTACH TO PANEL WITH (3) #10-12X1" WOOD SCREWS.
- 4) CAULK "Z" CLOSURES VERTICALLY AT PANEL SEAMS.
- 5) ATTACH HEADWALL FLASHING TO "Z" CLOSURE W/ POP RIVETS 24" O.C. AND SET TOP OF FLASHING IN WALL.
- 6) CAULK WITH ENGLERT SEALANT.

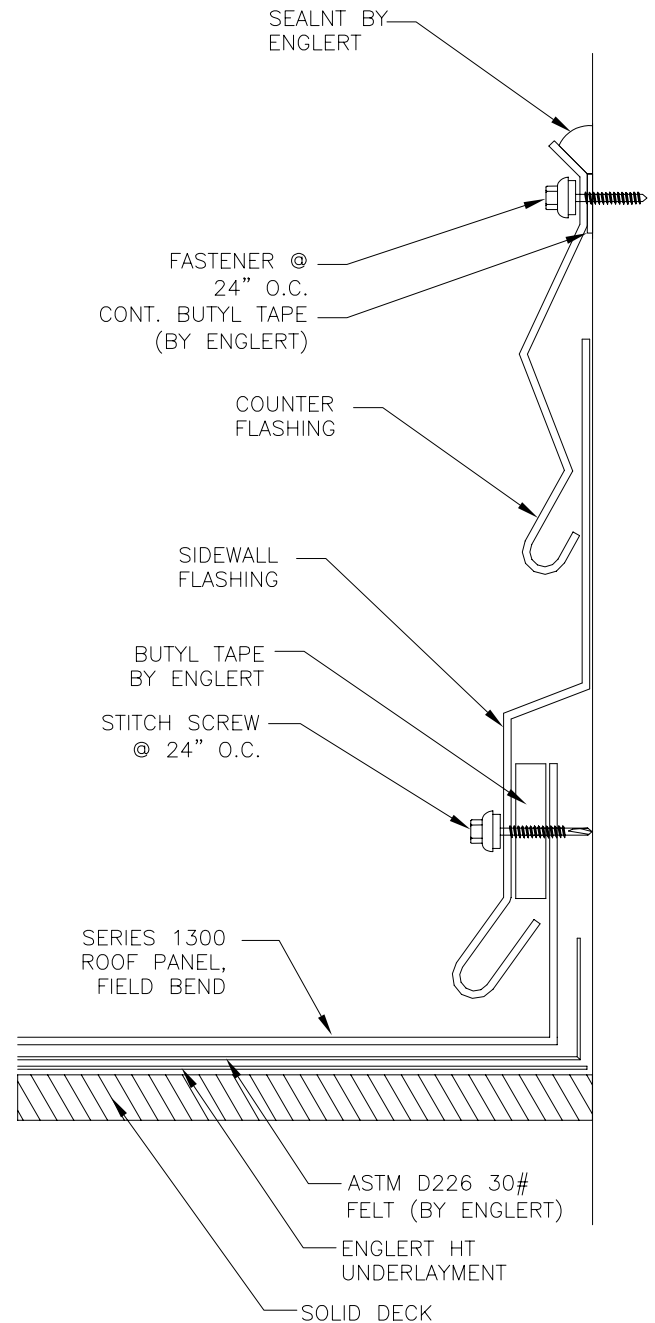
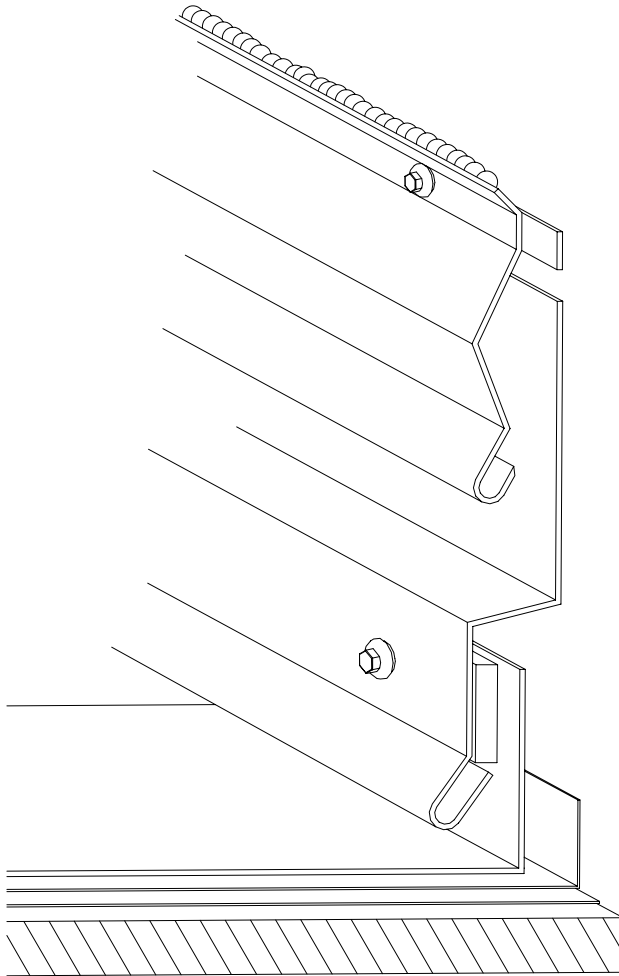
## TYPICAL SIDEWALL DETAIL



### NOTES:

- 1) APPLY SEALANT TAPE TO INSIDE OF PANEL LEG
- 2) ATTACH SIDEWALL FLASHING BY INSTALLING FASTENER @ 24" O.C. THROUGH SEALANT TAPE AND INTO PANEL
- 3) INSTALL COUNTER FLASHING

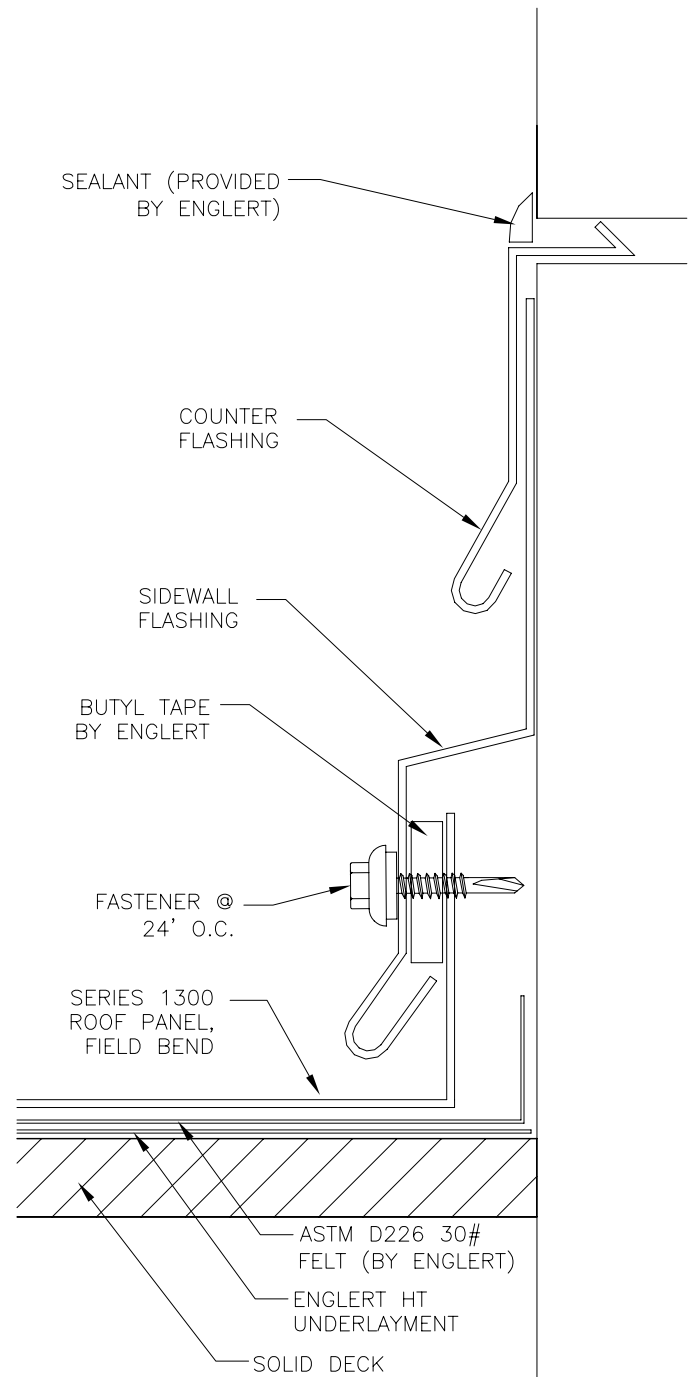
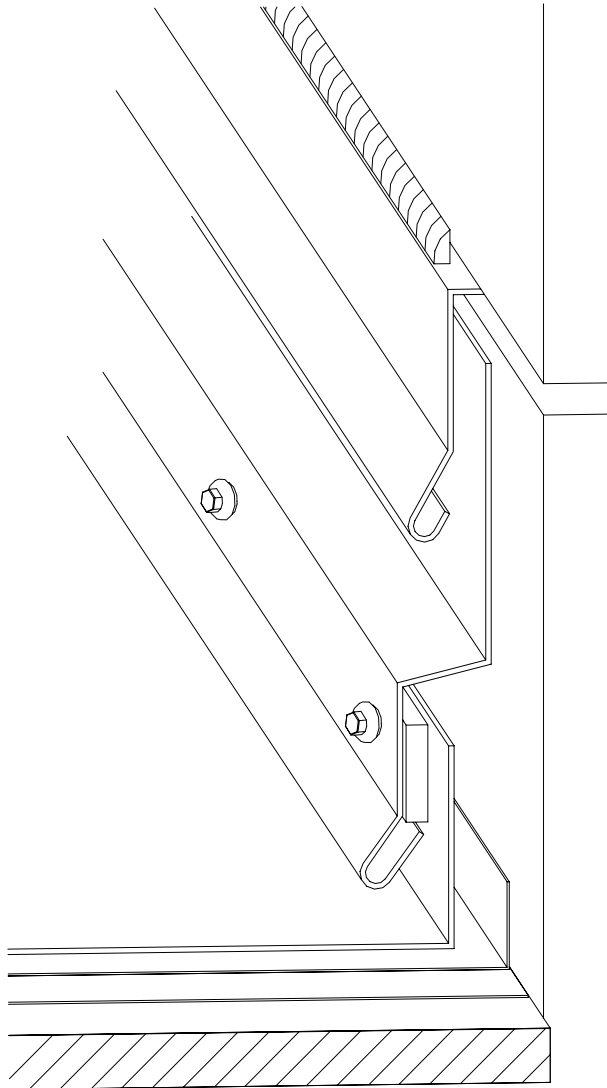
TYPICAL SIDEWALL DETAIL



**NOTES:**

- 1) APPLY SEALANT TAPE TO INSIDE OF PANEL LEG.
- 2) ATTACH SIDEWALL FLASHING BY INSTALLING FASTENER @ 24" O.C. THROUGH SEALANT TAPE AND INTO PANEL.
- 3) INSTALL COUNTER FLASHING AND CAULK WITH ENGLERT SEALANT.

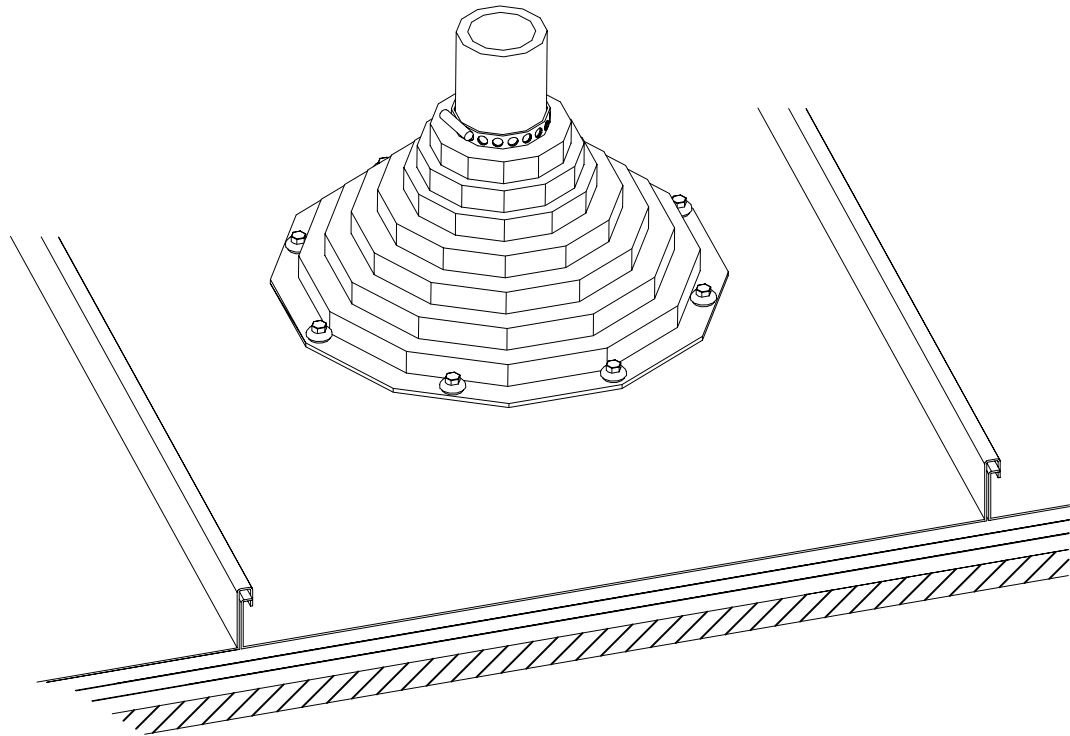
TYPICAL SIDEWALL DETAIL



**NOTES:**

- 1) APPLY SEALANT TAPE TO INSIDE OF PANEL LEG.
- 2) ATTACH SIDEWALL FLASHING BY INSTALLING FASTENER @ 24" O.C. THROUGH SEALANT TAPE AND INTO PANEL.
- 3) INSTALL COUNTER FLASHING AND CAULK WITH ENGLERT SEALANT.

TYPICAL PENETRATION DETAIL



NOTES:

- 1) THE VENT PIPE MUST BE EXTENDED THROUGH THE FLAT OF THE PANEL.
- 2) CUT THE PANEL TO FIT THE PIPE PROPERLY.
- 3) TRIM THE ROOF JACK SO THAT THE PIPE WILL FIT SNUGLY AND INSTALL OVER THE PIPE.
- 4) APPLY SEALANT BETWEEN THE PANEL AND THE BASE FASTENING RING OF THE ROOF JACK.
- 5) ATTACH THE BASE OF THE ROOF JACK TO THE PANEL USING #1/4-14X7/8" STITCH XL FASTENERS @ 1" O.C.
- 6) APPLY SEALANT BETWEEN THE PIPE AND THE TOP OF THE ROOF JACK.
- 7) INSTALL A STAINLESS STEEL CLAMPING RING SNUGLY AROUND THE TOP OF THE ROOF JACK.

